

# Quick Installation Guide

## Energy Monitor



### ⚠ WARNING

	<b>CAUTION: Risk of electric shock</b> Use proper tools and personal protection
	Clean device with a dry or moist cloth. Limit use of cleaning agents. Be aware of unwanted interactions with the display. Dry before usage.
	This product has an IP67 protection class.
	Use this product only in combination with a MG Master LV or MG Master HV. Always respect charge instructions.

### ℹ NOTICE

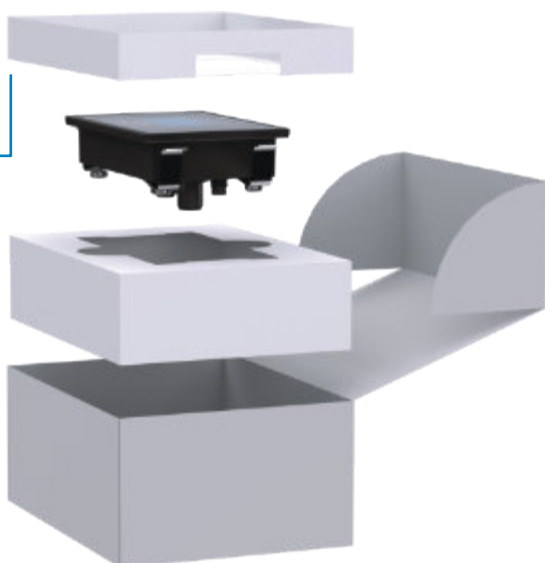
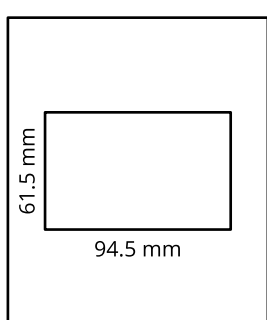
	Read and fully understand the manual before installation and use.	
	This product may only be installed by a qualified electrical engineer.	

This product is tested according to and complies with the IEC 61000 standards



## Unpacking

Use top inlay as marking template



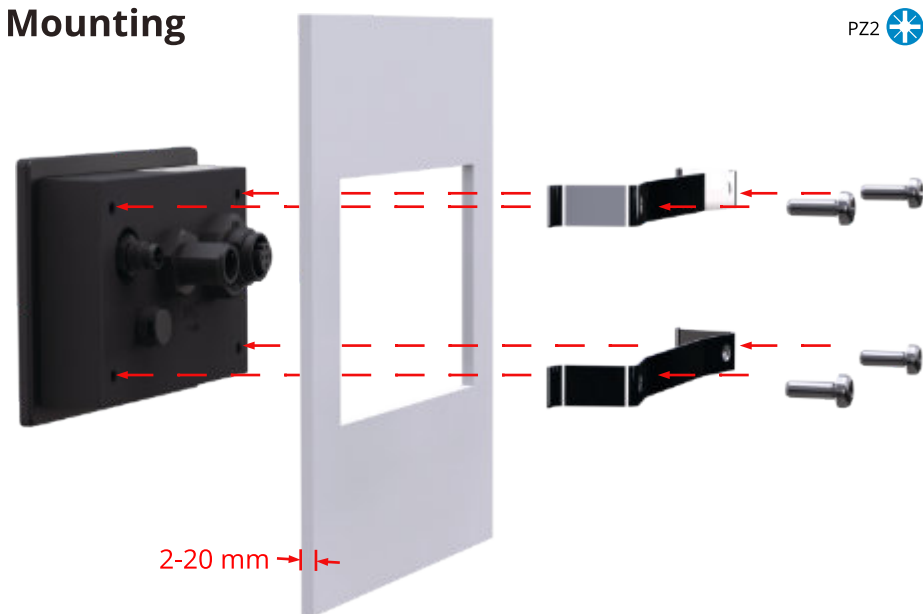
## Placement



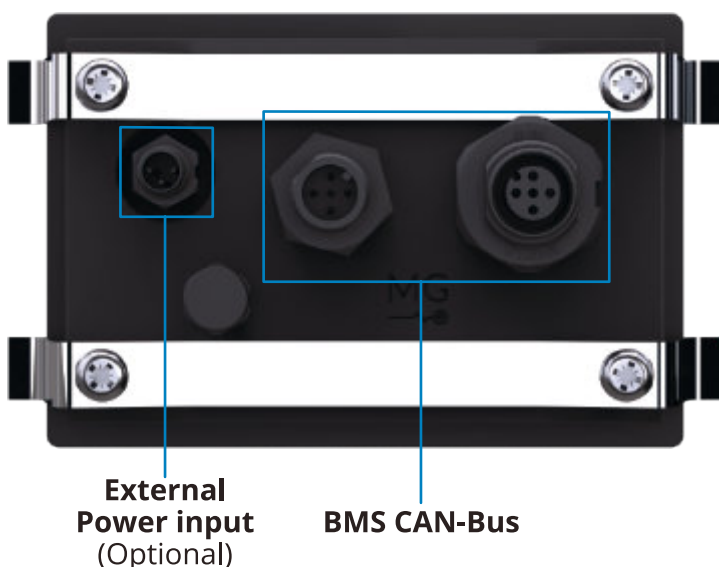
### MG Logo

use the MG logo as a orientation reference when installing

## Mounting



## Connection Ports



## MG Energy Systems B.V.

Foeke Sjoerdswei 3  
8914 BH, Leeuwarden  
The Netherlands

<https://www.mgenergysystems.eu>



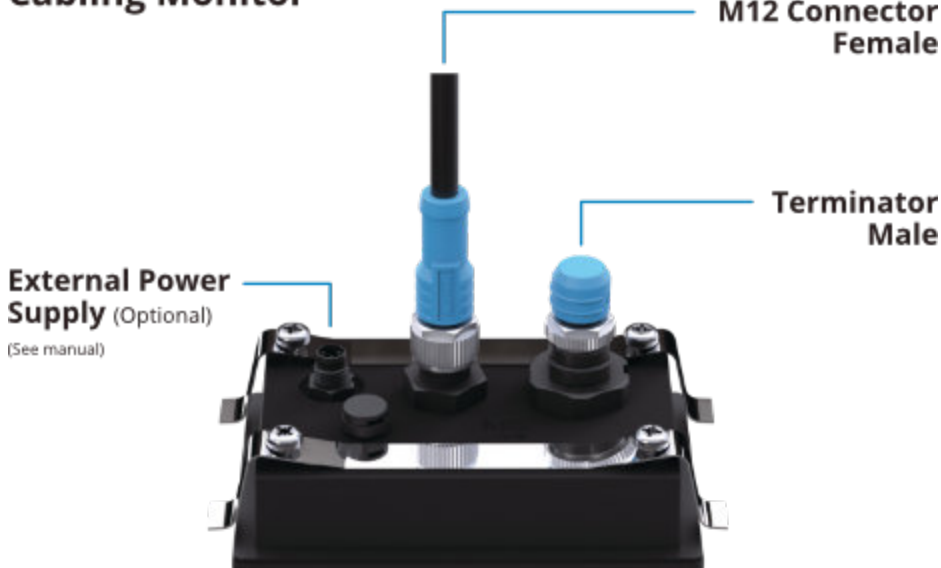
© 2022 MG Energy Systems B.V. All rights reserved.

Version 1.0

MG Energy Systems B.V. reserves the right to revise and improve its products as it sees fit. This publication describes the state of this product at the time of its publication and may not reflect the product at all times in the future.



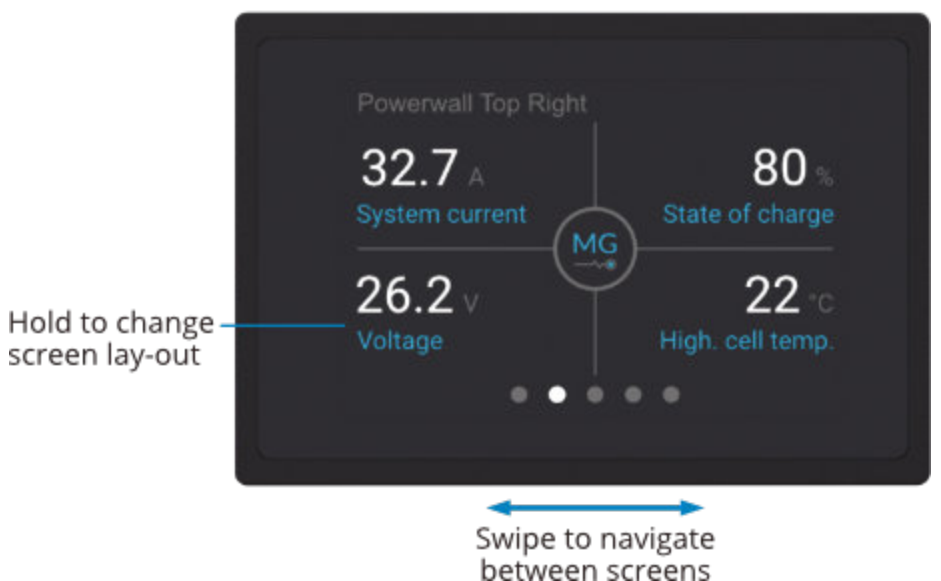
## Cabling Monitor



## Cabling Master



## Interface



## Main Screens

	Start	Shows the state of charge of the connected device.
	Expanded Start	Shows four different system values. Values can be changed by tapping and holding the screen.
	Devices	Shows all the connected devices in the system.
	Events	Shows all the events that have occurred.
	Settings	Shows the different setting menus. Local settings for network, portal and general settings. BMS settings for configuring the system.

## Buttons

	Navigation buttons. Go to next or previous page and scroll up and down. Greyed out arrows indicate the end of a list.
	Toggle button. Enable or disable a particular setting or function.
	Increase or decrease buttons. Increase or decrease a particular value. Greyed out button indicates it is not available.
	Keyboard button. Touch to show the keyboard.
	Show/Hide button. Show or hide a variable.
	QR-code button. Touch to show a QR-code directing to a webpage containing additional information.
	Information button. Touch to show more information.

## Icons & Colours

	Wi-Fi connection
	Portal connection
	CAN-Bus synchronizing
	Function requires attention
	Function failed
	Attention required
	Error

## Thank you for ordering this MG product

What's in the box:  
 - MG Energy Monitor  
 - Marking template  
 - Quick Installation Guide

Required tools:  
 - Pozidriv screwdriver PZ2

### Download Center



Scan the QR-code for:

- Manual
- Installation video
- Technical Drawings

### Technical Specifications



<https://downloads.mgenersystems.eu/energymonitor/>