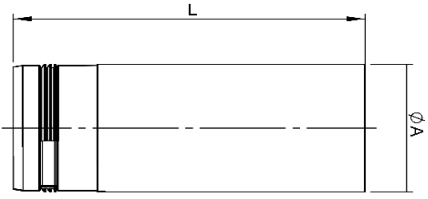


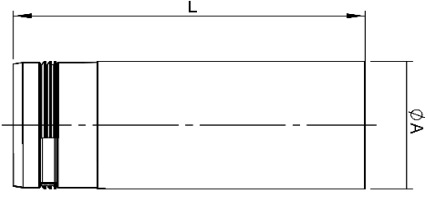

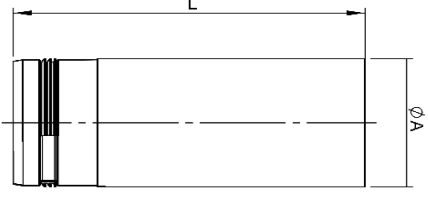

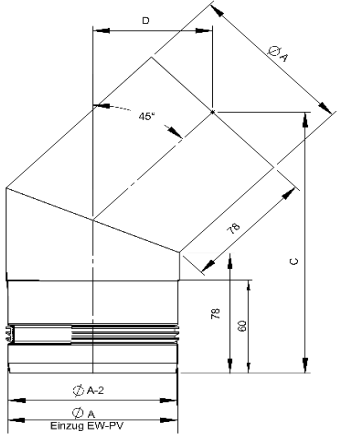

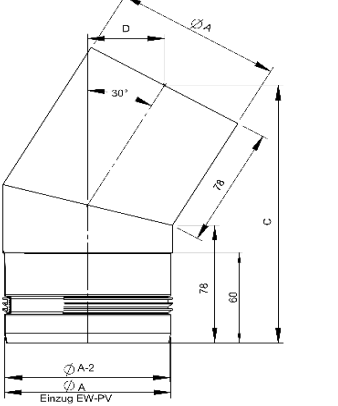



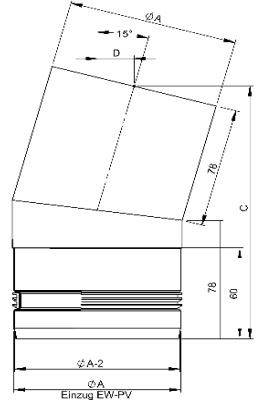

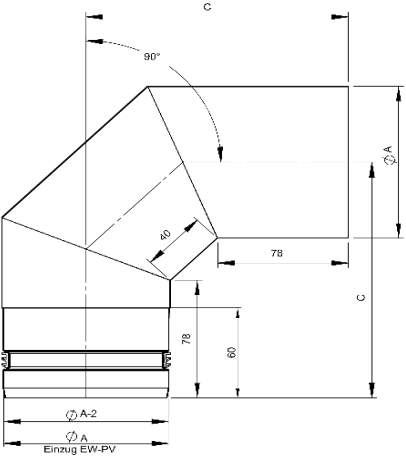

Document version: 2.1  
Diameter: 80 mm

MG Article number	Manufacturer number	Drawing	Picture	Dimensions
MGRS00100003	AEWPV015080			Length (L): 250 mm Diameter (A): 80 mm
MGRS00100004	AEWPV2416080	Schuif element		Length (L): 250 mm Diameter (A): 80 mm
MGRS00100005	AEWPV014080			Length (L): 500 mm Diameter (A): 80 mm
MGRS00100006	AEWPV013080			Length (L): 1000 mm Diameter (A): 80 mm

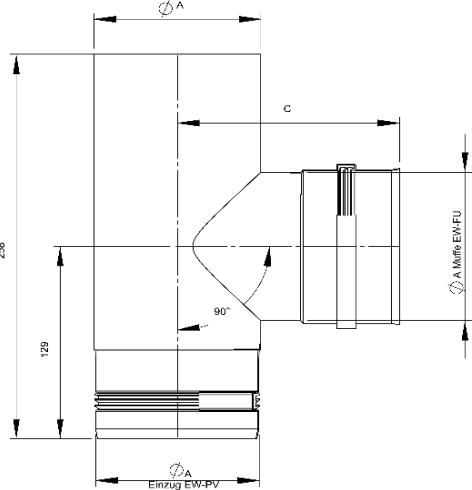



Document version: 2.1  
 Diameter: 80 mm

MG Article number	Manufacturer number	Drawing	Picture	Dimensions
MGRS00100007	AEWPV018080			<p>C: 162 mm            D: 67 mm            Diameter (A): 80 mm            Angle: 45 °C</p>
MGRS00100008	AEWPV017080			<p>C: 166 mm            D: 44 mm            Diameter (A): 80 mm            Angle: 30 °C</p>



Document version: 2.1  
Diameter: 80 mm

MG Article number	Manufacturer number	Drawing	Picture	Dimensions
MGRS00100009	AEWPV016080			<p>C: 166 mm D: 22 mm Diameter (A): 80 mm Angle: 15 °C</p>
MGRS00100011	AEWPV060080			<p>C: 146 mm Diameter (A): 80 mm Angle: 90 °C</p>

Document version: 2.1  
Diameter: 80 mm

MG Article number	Manufacturer number	Drawing	Picture	Dimensions
MGRS00100013	AEWPV557080			<p>C: 126 mm Diameter (A): 80 mm Angle: 90 °C</p>
MGRS00100015	AEWPV675D080			
MGRS00100002	RS Series exhaust ducting sleeve type			

Document version: 2.1  
 Diameter: 80 mm

MG Article number	Manufacturer number	Drawing	Picture	Dimensions
MGRS00100001	RS Series exhaust ducting flange type			
MGRS00100016	AFLB080			
MGRS00100018	AKOP080			